

TECHNICAL FEATURES CROMO AR



	6.50-16	210/95R16	260/70R16	240/70-15
	WITH ADJUSTABLE RIM	WITH ADJUSTABLE RIM	WITH ADJUSTABLE RIM	GARDEN WITH FIXED RIM
A Tyre width (mm)	183	209	258	253
B Tyre diameter (mm)	762	806	770	729
C Wheel track min/max (mm)	806/1182	806/1182	882/1040	906/1082
D Width min/max (mm)	989/1365	1015/1391	1140/1298	1159/1335

TECHNICAL FEATURES CROMO RS



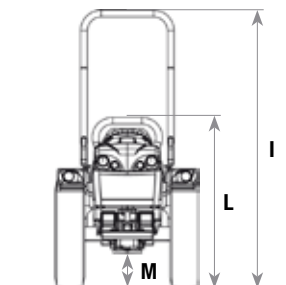
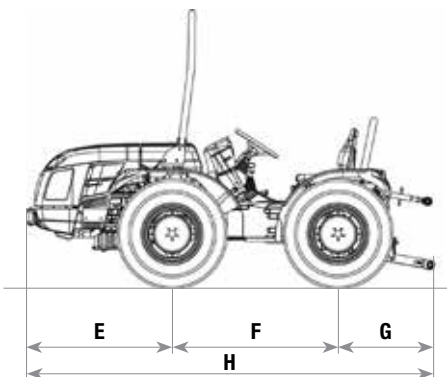
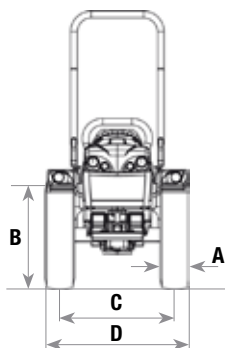
	6.50-16	210/95R16	260/70R16	240/70-15
	WITH ADJUSTABLE RIM	WITH ADJUSTABLE RIM	WITH ADJUSTABLE RIM	GARDEN WITH FIXED RIM
A Tyre width (mm)	183	209	258	253
B Tyre diameter (mm)	762	806	770	729
C Wheel track min/max (mm)	886/1182	886/1182	944/1102	906/1082
D Width min/max (mm)	1069/1365	1095/1391	1202/1360	1159/1335

TRACTOR DIMENSIONS (AR VERSION) WITH FRONT FRAME (mm):

	E	F	G	H	I Max	L Max	M Min-Max
CROMO K30 AR	985	1200	705	2890	1990	1174	237/258
CROMO K40 AR	1055	1200	705	2960	1990	1174	237/258

TRACTOR DIMENSIONS (RS VERSION) WITH FRONT FRAME (mm):

	E	F	G	H	I Max	L Max	M Min-Max
CROMO K30 RS	985	1200	705	2890	1990	1174	237/258
CROMO K40 RS	1055	1200	705	2960	1990	1174	237/258





TECHNICAL FEATURES	CROMO K30 RS	CROMO K40 RS
ENGINE	KUBOTA D1105	KUBOTA V1505
Number of cylinders	3	4
Displacement (cm³)	1123	1498
Intake	Naturally aspired	Naturally aspired
Emission level	Tier 3A	
Power (kW/HP)	19,1 / 26	26,2 / 35,6
Rated speed (rpm)	3000	
Maximum torque (Nm/rpm)	70,4 / 2200	96,5 / 2200
Cooling	Liquid	
Tank capacity (lt)	43	
CHASSIS	Swinging integral chassis (±15°) OS-FRAME with steering wheels	
DRIVE	Four-wheel drive, permanent	
TRANSMISSION	Gearbox with easy gear engagement: 8 forward and 4 reverse speeds	
Transmission clutch	Dry single-plate	
DIFFERENTIAL	Front and rear differential lock with mechanical control	
REAR PTO	540 rpm and synchronized with the gearbox	
HYDRAULIC SYSTEM		
Flow rate to the hydroguide, lift and the control valves (lt/min)	16.5	
Maximum hydraulic pressure (bar)	125	
REAR CONTROL VALVES	Mechanical control	
Standard	1 double acting	
Optional and in addition to the standard ones	1 single acting or 1 double acting or 1 double acting with float	
ELECTRIC SYSTEM	Battery 60 Ah / 12 V - Alternator 40 A	
REAR LIFT	By two external rams	
Three-point hitches	With standard couplers cat. 1	
Three-point tie bar	With manual length adjustment	
Ball joint lifting capacity (kg)	1,050	
DRIVING POSITION	Semi-platform	
Seat with safety belts	Comfortable seat with a device that allows it to be regulated as to distance from controls, height and suspension adjustable according to the driver's weight	
SERVICE BRAKES	Drum brakes, acting on the rear wheels by two independent pedals or simultaneous	
Parking brake	Acting on the service brakes	
STEERING	Hydrostatic steering acting on front wheels	
SAFETY	Front homologated roll-bar	
CONSOLE	Analogue type with hour counter, engine speed and warning lights	
TYRES (standard)	6.50-16	
Optional	210/95R16 * 260/70R16 * 240/70-15 Garden	
TOW HOOKS (standard)	Front tow hook - Rear cat. C CUNA tow hook	
Optional	Rear tow hook, EC approved	
WEIGHT in order of speed		
With roll-bar (kg)	1060	1080
OPTIONAL	Independent rear PTO at 540 rpm with electro-hydraulic control multi-disc oil-bath clutch and synchronized with the gearbox, adjustable rear working light kit, beacon lamp, weights for wheels kg. 40 each	

CROMO RS