

**FERRARI**

**COBRAM 60 AR/RS**



# MUCH MANY ADVANTAGES WITH COBRAM 60



## KOHLER ENGINE

with direct injection: low fuel consumption and excellent performance.



## EXCELLENT DRIVING CONDITIONS

with ergonomic controls placed to be easily found and activated by the operator.



## LOOK

modern and captivating.



## OS-FRAME TRANSMISSION

in order to optimize mechanical efficiency and stability even on rough terrain.



## PLANETARY GEARS

on both axles in order to ensure maximum power transmission and durability.



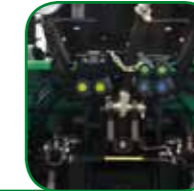
## REVERSIBLE DRIVING POSITION

optional on all models.



## HYDRAULIC SYSTEM

high performance hydraulic system to adopt a great deal of hydraulically-fired equipments.



## PTO INDEPENDENT

and synchronized with the gearbox.



## SERVICE BRAKES

oil immersed multidisc.



## SHORT WHEELBASE

in order to reduce turning radius so as to be able to move with maximum ease even in small spaces.



## A proposal for all your needs

The **Cobram 60** are isodiametric tractors extremely versatile and reliable. They have been studied in detail for specific use in vineyards, orchards, greenhouses and, in general, for specialized crops where the tractor's structural characteristics are of fundamental importance in allowing work to be done in a practical way.

The excellent steering radius, the four-wheel drive that optimises the power that is transmitted to the wheels and a compact and secure alignment, allow the **Cobram 60** provide performances at the top of their category, along with excellent levels of productivity and low operating costs.

# VERSIONS

## COBRAM 60 AR

Isodiametric tractors, monodirectional or reversible, with central articulation



The **Cobram 60 AR** are specialized tractors, born to be used in particularly narrow areas: row cultivations, vineyards, orchards, greenhouses and nurseries. They are particularly performing machines, thanks to the isodiametric wheels and the frame with central articulation. The limited steering radius, the reversibility of the driving position (optional) and the constant adherence to the ground make the **Cobram 60 AR** multi-purposes and versatile machines.

In spite of the limited dimensions, the driving position is particularly comfortable with easily reachable controls also in the reversed position.

## COBRAM 60 RS

Isodiametric tractors, monodirectional or reversible, with steering wheels



The **Cobram 60 RS** are multi-purpose specialized tractors, particularly performing in vineyards, orchards and greens maintenance.

The low hub and the all-wheel drive assure stability and adherence to the ground and allow the **Cobram 60 RS** to work both on flat and sloping grounds. The engine power together with the perfect weight distribution on the axles make them safe and trusty supporters .

The reversible driving position (optional) allows to operate practically and safe both with rear- and front-mounted attachments.

# ENGINE



## Kohler KDi 2504M: compact, reliable and performing

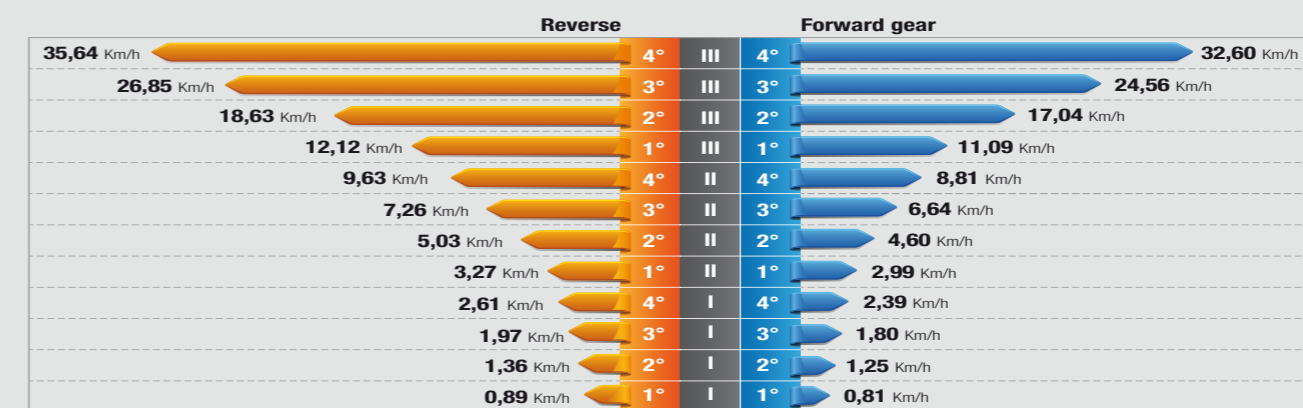
The **Cobram 60** are mounting a 4-cylinder, 2.5 liter Kohler engine developing 49 horsepower with a vigorous torque of 170 Nm corresponding to just 1500 rpm.

COBRAM	Type	Power (kw/hp)	No. of cylinders	Displacement	Aspiration	Cooling
60	KDi 2504M	36 / 49	4	2482	Natural	Water

The new Synchro 24-speed gearboxes (12 forward + 12 reverse) assure a maximum speed of more than 30 km/h for both driving directions, with synchronized inverter.

Logical speed sequence, no overlaps throughout all ranges, always allows right gear selection for the tasks for which the tractor is intended to, enabling fuel saving and an overall high operating quality.

The "Long-life" clutch designed for Valiant 600 is a wet multiple discs one, allowing easy and gradual engagements. It is mounted in the transmissions system to reduce engine overhang and the tractor length and it does not require maintenance.



Graph of the speeds in km/h - Engine speed: 2600 rpm

The graph highlights the perfect progression of the ratios, without any speed overlapping between the ranges.



# AN ABSOLUTELY UNIQUE CONTEXT

## PLUS

### High performing hydraulic system

The hydraulic system is a dual circuit, powered by two independent pumps: one pump controls the power steering and electro-hydraulic control (maximum flow rate 15,3 l/min), the other pump controls the hoist and the distributors (maximum flow rate 25,6 l/min). Operation hydraulic pressure is 180 bar.



### Transmission and high quality axles

The **Cobram 60** are provided with OS-Frame transmissions awarding the highest tractor maneuverability and the best mechanical output. The joint in the middle of the machine lets the front axle oscillate up to 15° with respect to the rear axle, stabilizing the machines on steep terrain. The 4-wheel drive allows absolute safety on every terrain, exploiting to the maximum the machine's designed towing and security outfits. The distribution of the weights on the axles, 40% on the rear and 60% on the front, is proved optimal once the rear lifting equipment is mounted. The **Cobram 60** are equipped with planetary gear axles in order to ensure maximum power transmission and durability.

### Lever strength

The solid rear hydraulic lift, with its high lifting capacity, relies on multi-purpose practical and versatile connections designed to adapt in a fast and simple way to all marketed equipments. Lifting arms are equipped with normal connections, quick couplers and quick couplers with hook angular lateral adjustment.



Standard couplers



Quick couplers



L-shaped quick couplings

### Reserved to the driver


The driving position is custom-fitted on the driver with ergonomic controls placed to be easily found and activated by the operator. The reversibility can be achieved in just a few seconds thanks to the rotating console which allows the driving position consisting of seat-steering wheel-instrument panel, to rotate by 180°, so that the operator can practically and rationally work both with rear and front attachments. The braking system with multi-disc wet brakes, the roll-bar and the safety belts on the seat assure the highest safety of operation in every conditions.



### PTO with maximum power needed to transmission

The rear PTO is independent from the gearbox and synchronized with all progress speeds. PTO at 540 rpm can be engaged in a practical and safe way through an electro-hydraulic control.

# Technical features \_ COBRAM 60 AR



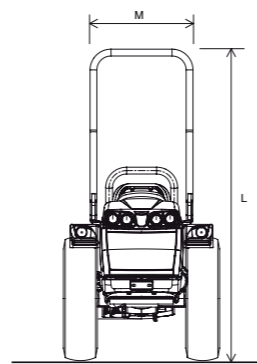
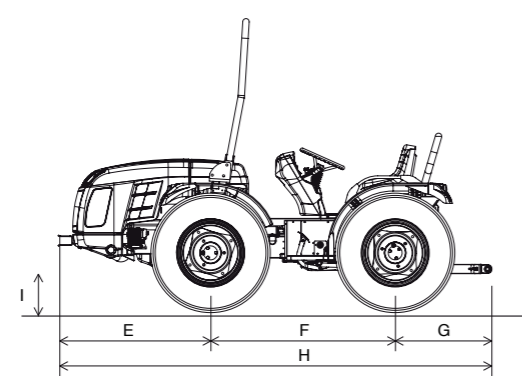
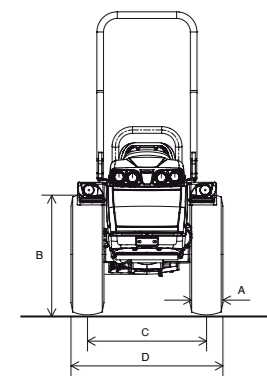
	8.25-16	250/80-18	280/70R18	320/65R18	260/70R20	31x15.50-15 XTC	31x15.50-15 STG	31x13.50-15 Garden
	WITH ADJUSTABLE RIM	WITH ADJUSTABLE RIM	WITH ADJUSTABLE RIM	WITH ADJUSTABLE RIM	WITH ADJUSTABLE RIM	WITH FIXED RIM	WITH FIXED RIM	WITH FIXED RIM
<b>A</b> Tyre width mm.	212	240	282	319	258	368	394	351
<b>B</b> Tyre height mm.	848	879	849	873	872	800	800	782
<b>C</b> Wheel track min/max mm.	<b>Mono</b>	794 - 1100	865 - 1107	869 - 1119	931 - 1119	846 - 1120	1003	1003
	<b>Rev</b>	827 - 1100	865 - 1107	931 - 1119	931 - 1119	902 - 1120		
<b>D</b> Width min/max mm.	<b>Mono</b>	1006 - 1312	1105 - 1347	1151 - 1401	1250 - 1438	1104 - 1378	1371	1397
	<b>Rev</b>	1039 - 1312	1105 - 1347	1213 - 1401	1250 - 1438	1160 - 1378		

TRACTOR DIMENSIONS COBRAM 60 AR (mm):

	E	F	G	H	I Min-Max	L Max	M
COBRAM 60 AR	1160	1340	730	3230	220/270	2220	675


STEERING RADIUS COBRAM 60 AR WITH THE FORESEEN WHEELS:

Tyre type	8.25-16	250/80 18	280/70 R18	320/65 R18	260/70 R20	31x15.50 15	31x13.50 15
mm	2450	2500	2530	2650	2600	2700	2700



	COBRAM 60 AR
<b>CHASSIS</b>	Swinging integral chassis OS-FRAME with central articulation
<b>ENGINE</b>	4-cycle Diesel engine with direct injection
Manufacturer	KOHLER
Model	KDi 2504M
Number of cylinders	4
Displacement cm <sup>3</sup>	2482
Suction	Naturally aspirated
Power KW/HP	36 / 49
Nominal speed [rpm]	2600
Maximum tractor torque (Nm/rpm)	170 / 1500
Cooling	Water
Tank capacity (lt.)	45
<b>TRANSMISSION</b>	Synchronized gearbox: 24 speeds (12 forward and 12 reverse) with synchronized reverser
Main clutch	Multidisc, in oil bath
<b>DIFFERENTIAL</b>	Front and rear with simultaneous differential lock and electro-hydraulic control
<b>AXLES</b>	Front and rear, with epicyclic reduction units
<b>DRIVE</b>	Four-wheel drive, permanent
<b>POWER TAKE-OFF</b>	Rear, independent from the gearbox, 540 r.p.m. and synchronized with the gearbox. Engageable under load with brake in disengaged position
PTO clutch	Multidisc, in oil bath
Engagement control	Electro-hydraulic
<b>HYDRAULIC SYSTEM</b>	Double circuit with independent pumps
Flow rate to the hoist and the distributors (l/min.)	25,6
Flow rate to hydraulic pump which controls the hydroguide and electro-hydraulic control (l/min.)	15,3
Maximum hydraulic pressure [bar]	180
<b>DISTRIBUTORS</b>	Mechanical control to max. 6 hydraulic couplers
Rear (standard)	1 double acting (Hydraulic lift by rams) 2 double acting (Draft and position control)
Rear (optional)	1 single acting and 1 double acting with float or 2 double acting in addition to the standard one (Hydraulic lift by rams) 1 single acting and 1 double acting with float instead of the standard one (Draft and position control)
<b>ELECTRIC SYSTEM</b>	
Battery (Ah)	100
Alternator (A)	80
<b>REAR LIFT</b>	Standard: by two external rams - Optional: draft and position control
Three-point hitches	Standard: standard couplers cat. 1 - Optional: quick couplings cat. 1, L-shaped lift arms, lift rods adjustable in length and hooks adjustable in width
Three-point tie bar	With manual adjustment
Lifting capacity at the end of the arms kg	1200
<b>DRIVING UNIT</b>	
Driving platform	Monodirectional or reversible with rotating platform and twin pedal assembly
Steering wheel	Adjustable
<b>SEATS</b>	Standard: sprung seat - Optional: 'Bostrom' seat (only for monodirectional version)
<b>SERVICE BRAKES</b>	Oil immersed multidisc, acting on the rear transmission, with mechanical control
<b>STEERING</b>	Acting on the service brakes
<b>SAFETY</b>	With hydrostatic steering by two rams, acting on the central articulation. Flow deviator for steering unit for the reversible version
Roll-bar frame (standard)	Front, homologated
<b>CONSOLE</b>	
Digital type	With chrono-tacho-gyrometer, water thermometer, control warning lights and acoustic alarm. Reading of rpm, forward speed and rotation speed of power takeoff
<b>TYRES</b>	
Standard	8.25-16
Optional	250/80-18 * 280/70R18 * 320/65R18 * 260/70-20 * 31x15.50-15 XTC and STG * 31x13.50-15 Garden
<b>TOW HOOKS</b>	
Standard	Rear CUNA and front
Optional	Rear rotating, EC approved
<b>WEIGHT OPERATIONAL</b>	
With roll-bar (kg)	1550
<b>OPTIONAL</b>	Flash light, front weight and weights for wheels

# Technical features \_ COBRAM 60 RS



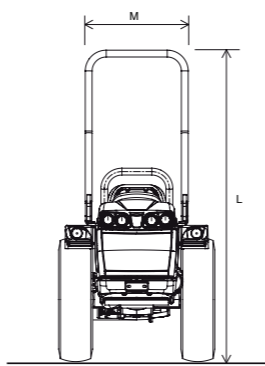
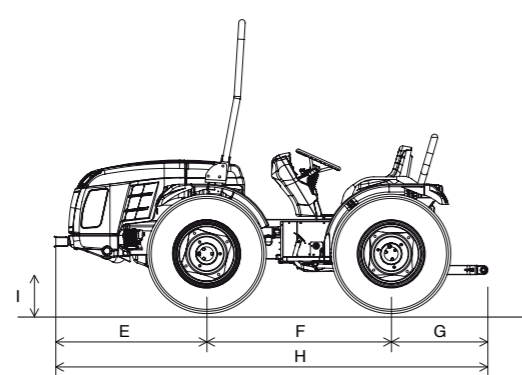
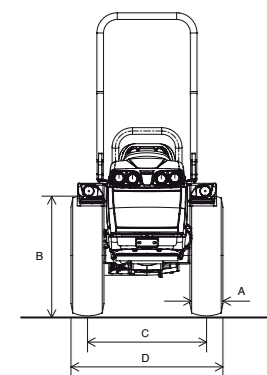
	8.25-16	250/80-18	280/70R18	320/65R18	260/70R20	31x15.50-15 XTC	31x15.50-15 STG	31x13.50-15 Garden
	WITH ADJUSTABLE RIM	WITH ADJUSTABLE RIM	WITH ADJUSTABLE RIM	WITH ADJUSTABLE RIM	WITH ADJUSTABLE RIM	WITH FIXED RIM	WITH FIXED RIM	WITH FIXED RIM
<b>A</b> Tyre width mm.	212	240	282	319	258	368	394	351
<b>B</b> Tyre height mm.	848	879	849	873	872	800	800	782
<b>C</b> Wheel track min/max mm.	999 - 1305	996 - 1312	984 - 1324	1074 - 1324	987 - 1325	1100 - 1208	1100 - 1208	1112 - 1196
<b>D</b> Width min/max mm.	1211 - 1517	1236 - 1552	1266 - 1606	1393 - 1643	1245 - 1583	1468 - 1576	1494 - 1602	1463 - 1547

TRACTOR DIMENSIONS COBRAM 60 RS (mm):

	E	F	G	H	I Min-Max	L Max	M
COBRAM 60 RS	1160	1340	730	3230	220/270	2220	675

STEERING RADIUS COBRAM 60 RS WITH THE FORESEEN WHEELS:

Tyre type	8.25-16	250/80-18	280/70 R18	320/65 R18	260/70 R20	31x15.50-15	31x13.50-15
mm	2800	2830	2930	2950	3350	3250	3200



	COBRAM 60 RS
<b>CHASSIS</b>	Swinging integral chassis OS-FRAME with steering wheels
<b>ENGINE</b>	4-cycle Diesel engine with direct injection
Manufacturer	KOHLER
Model	KDi 2504M
Number of cylinders	4
Displacement cm <sup>3</sup>	2482
Suction	Naturally aspirated
Power KW/HP	36 / 49
Nominal speed [rpm]	2600
Maximum tractor torque (Nm/rpm)	170 / 1500
Cooling	Water
Tank capacity (lt.)	45
<b>TRANSMISSION</b>	Synchronized gearbox: 24 speeds (12 forward and 12 reverse) with synchronized reverser
Main clutch	Multidisc, in oil bath
<b>DIFFERENTIAL</b>	Front and rear with simultaneous differential lock and electro-hydraulic control
<b>AXLES</b>	Front and rear, with epicyclic reduction units
<b>DRIVE</b>	Four-wheel drive, permanent
<b>POWER TAKE-OFF</b>	Rear, independent from the gearbox, 540 r.p.m. and synchronized with the gearbox. Engageable under load with brake in disengaged position
PTO clutch	Multidisc, in oil bath
Engagement control	Electro-hydraulic
<b>HYDRAULIC SYSTEM</b>	Double circuit with independent pumps
Flow rate to the hoist and the distributors (l/min.)	25,6
Flow rate to hydraulic pump which controls the hydroguide and electro-hydraulic control (l/min.)	15,3
Maximum hydraulic pressure [bar]	180
<b>DISTRIBUTORS</b>	Mechanical control to max. 6 hydraulic couplers
Rear (standard)	1 double acting (Hydraulic lift by rams) 2 double acting (Draft and position control)
Rear (optional)	1 single acting and 1 double acting with float or 2 double acting in addition to the standard one (Hydraulic lift by rams) 1 single acting and 1 double acting with float instead of the standard one (Draft and position control)
<b>ELECTRIC SYSTEM</b>	
Battery (Ah)	100
Alternator (A)	80
<b>REAR LIFT</b>	Standard: by two external rams - Optional: draft and position control
Three-point hitches	Standard: standard couplers cat. 1 - Optional: quick couplings cat. 1 or quick couplings cat. 1, L-shaped lift arms, lift rods adjustable in length and hooks adjustable in width
Three-point tie bar	With manual adjustment
Lifting capacity at the end of the arms kg	1200
<b>DRIVING UNIT</b>	
Driving platform	Monodirectional or reversible with rotating platform and twin pedal assembly
Steering wheel	Adjustable
<b>SEATS</b>	Standard: sprung seat - Optional: 'Bostrom' seat
<b>SERVICE BRAKES</b>	Oil immersed multidisc, acting on the rear transmission, with mechanical control
<b>STEERING</b>	Acting on the service brakes
<b>SAFETY</b>	With hydrostatic steering, acting on the front wheels. Flow deviator for steering unit for the reversible version
Roll-bar frame (standard)	Front, homologated
<b>CONSOLE</b>	
Digital type	With chrono-tacho-gyrometer, water thermometer, control warning lights and acoustic alarm. Reading of rpm, forward speed and rotation speed of power takeoff
<b>TYRES</b>	
Standard	8.25-16
Optional	250/80-18 * 280/70R18 * 320/65R18 * 260/70-20 * 31x15.50-15 XTC and STG * 31x13.50-15 Garden
<b>TOW HOOKS</b>	
Standard	Rear CUNA and front
Optional	Rear rotating, EC approved
<b>WEIGHT OPERATIONAL</b>	
With roll-bar (kg)	1560
<b>OPTIONAL</b>	Accumulator for weight compensation HDR with Dual Floating System (only for reversible version), Flash light, front weight and weights for wheels

## THE SERVICES



### SPARE PARTS

A complete range of original spare parts, guaranteed directly by the manufacturer.



### ASSISTANCE

A team of specialists, well prepared and available to assure an efficient and resolving service.



### WARRANTY

A precise certainty for the customer's satisfaction:  
2-year warranty included in the price.



### LUBRICANTS

Ferrari recommends to use the original PowerLube lubricants.



M A D E I N I T A L Y



### BCS S.p.A.

Viale Mazzini, 161 - 20081 Abbiategrasso (Milano)  
Tel. +39 02 94821 - Fax +39 02 94960800 - info@bcs-ferrari.it

[www.ferrariagri.it](http://www.ferrariagri.it)

